

**TOOLS for  
ARCHITECTS**

**inno**



## TOOLS for ARCHITECTS

Inno embraces uniqueness.

Since the beginnings of the company –back in 1975, Inno has set in its mission to develop TOOLS for ARCHITECTS by creating innovative and functional designs while working alongside architects to deliver unique solutions for the demanding requirements of today's spaces.

We understand that every project is different and needs to address specific criteria. We develop products that are flexible and easy to tailor. We provide a series of digital tools and support services to ensure the successful realization of projects.



## COSY OFFICE

At Inno we believe that flexible and softer environments are key in the creation of highly functional spaces where creativity and innovation can happen. Our products aim to promote engagement and facilitate social interactions while providing a high sense of comfort. The cosy office is a design concept that not only embraces the wellbeing but also envisions a better future.





# SUSTAINABLE PRACTICES

A balanced and fair relationship with the environment has become the main challenge we all face today. Sustainable practices have been part of Inno's agenda and have increasingly become larger part of our programme. Inno is committed to manufacture products with a long lifecycle, certified or recyclable materials, and minimal emissions.

Our processes are certified according to ISO 14001-2015 environmental management standard. We take part in afforestation projects to compensate our use of raw materials and help mitigate the effects of climate change.



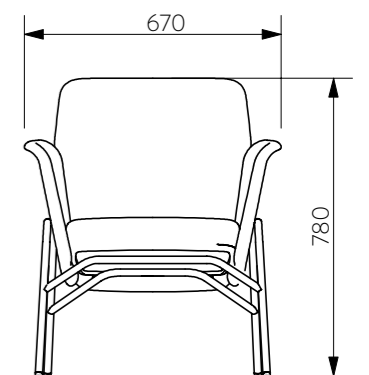
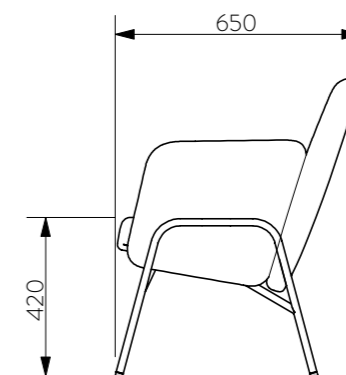


**NEW RELEASES**

# Taivu Compact Lounge

Design: Mikko Laakkonen

Year: 2021



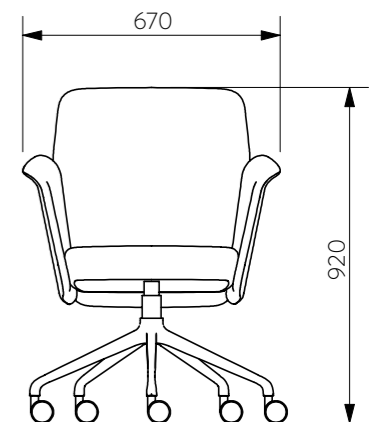
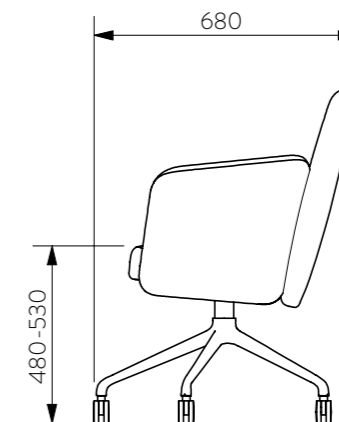




# Taivu Meeting YDL

Design: Mikko Laakkonen

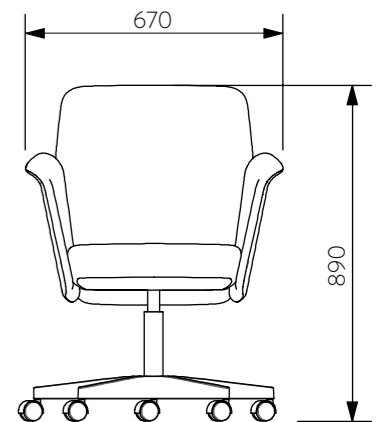
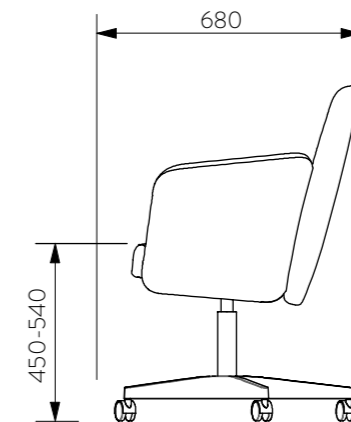
Year: 2021



# Taivu Meeting ZDL

Design: Mikko Laakkonen

Year: 2021



**inno**

©2023





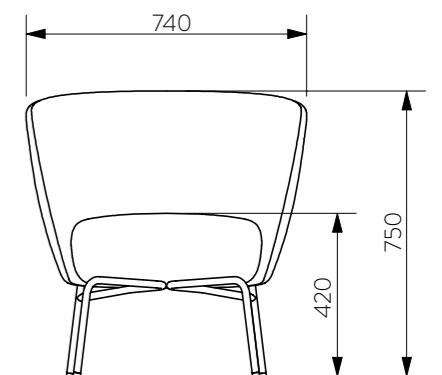
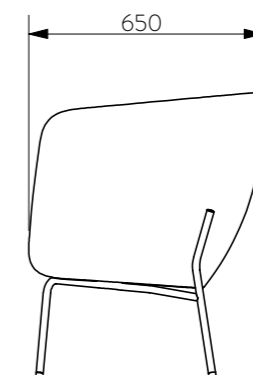
# Aura Bold

Design: Mikko Laakkonen

Year: 2021

Optional:

- Tablet
- Wheels



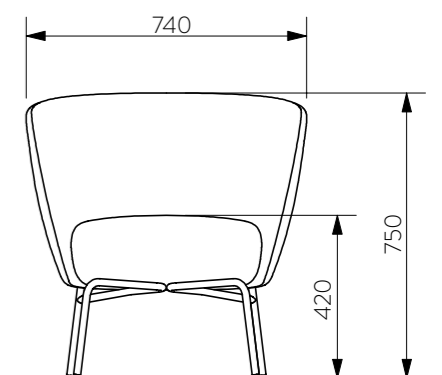
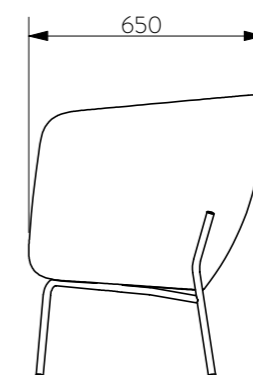
# Aura Bold

Design: Mikko Laakkonen

Year: 2021

Optional:

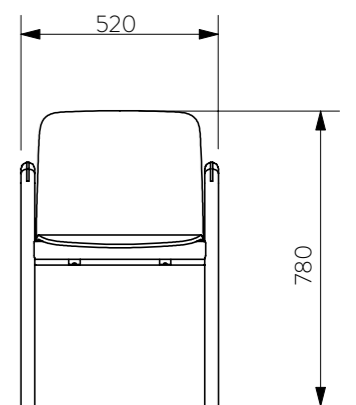
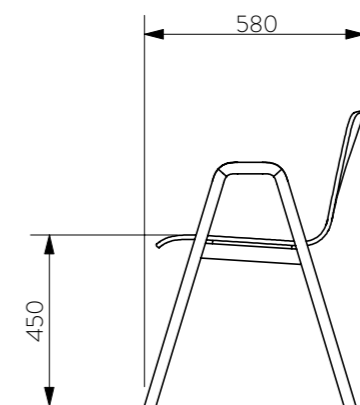
- Tablet
- Wheels





# Naku Chair

Design: Harri Korhonen  
Year: 2021

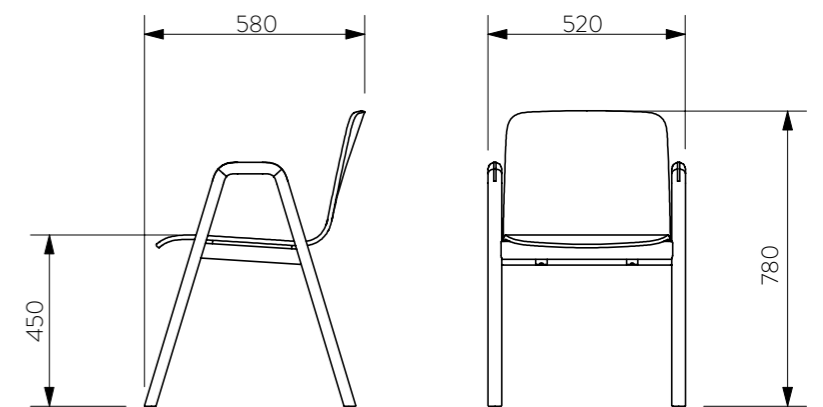






# Naku Chair

Design: Harri Korhonen  
Year: 2021





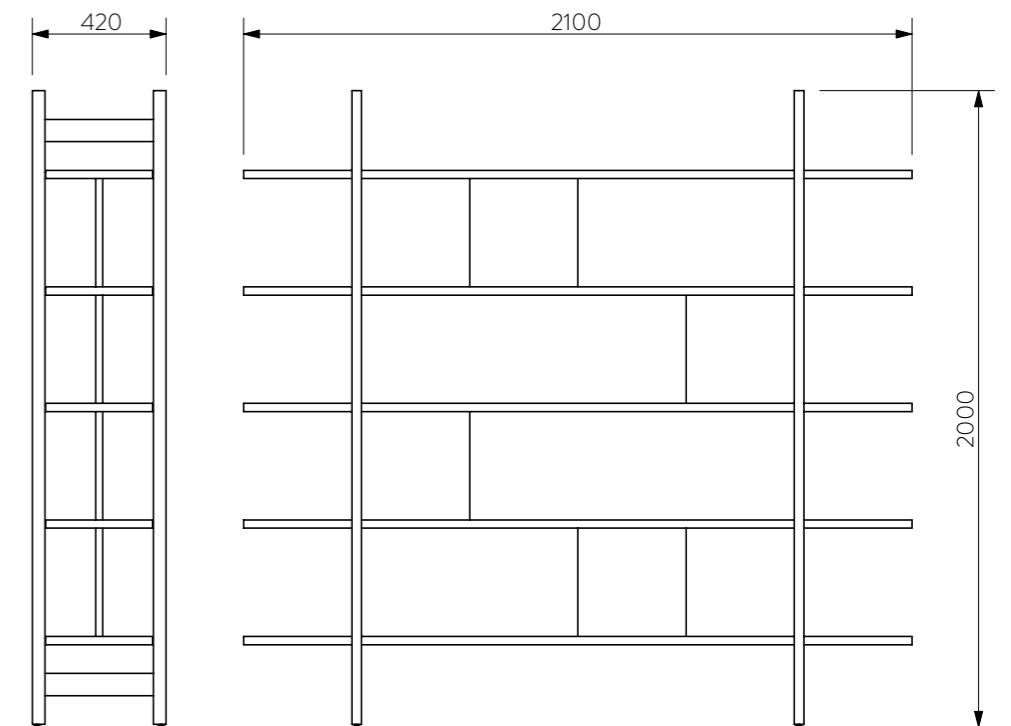
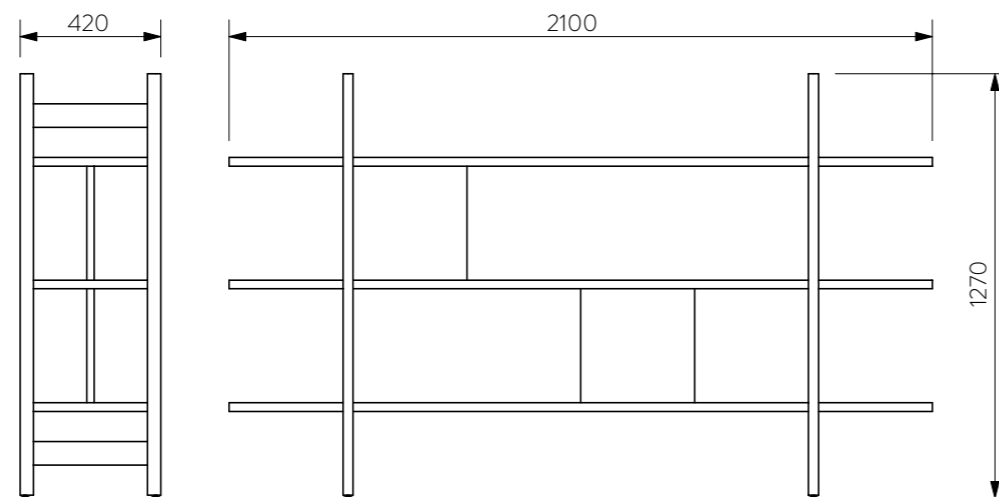




# Naku Shelving Units

Design: Harri Korhonen

Year: 2022

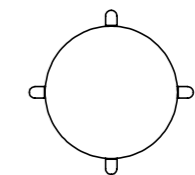
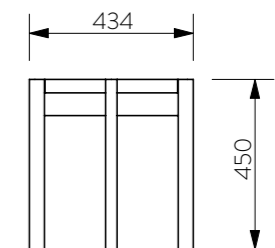




# Naku Stool

Design: Harri Korhonen

Year: 2022

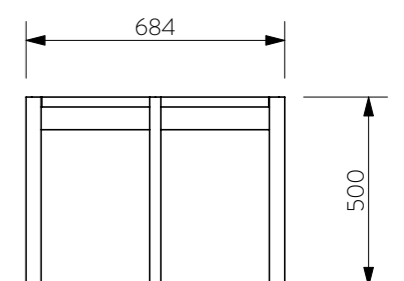
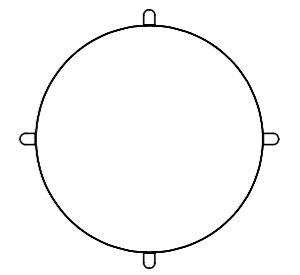
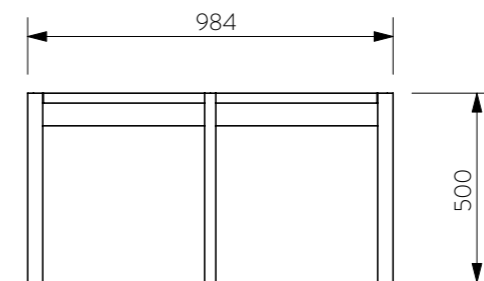
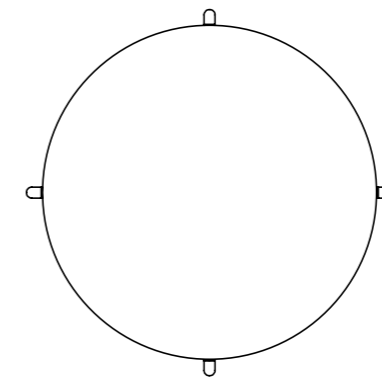




# Naku Coffee Tables

Design: Harri Korhonen

Year: 2022

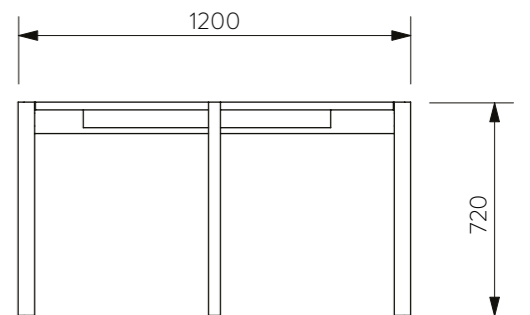
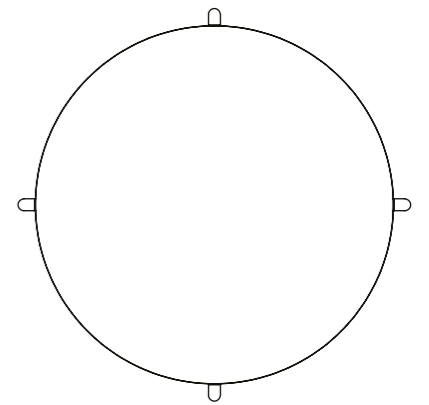




# Naku Table

Design: Harri Korhonen

Year: 2022





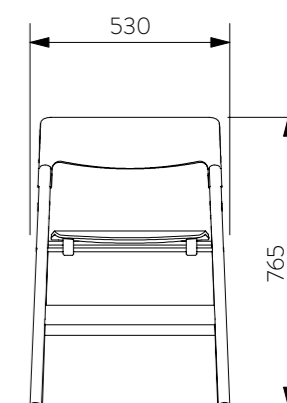
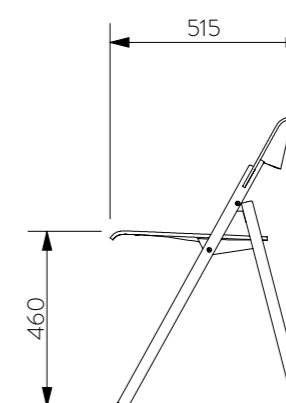




# Whippy Chair

Design: Rasmus Palmgren

Year: 2022







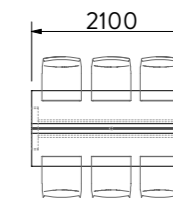
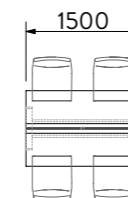
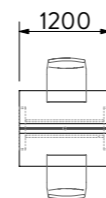
# In-tensive M+M

Design: Jouni Leino

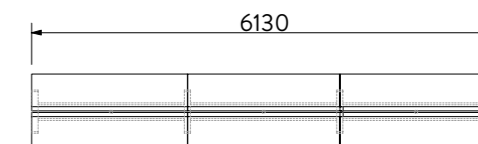
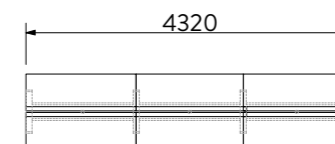
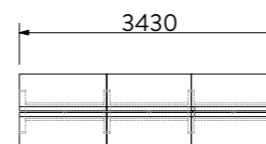
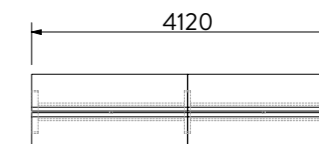
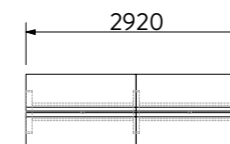
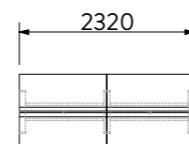
Year: 2023



Units



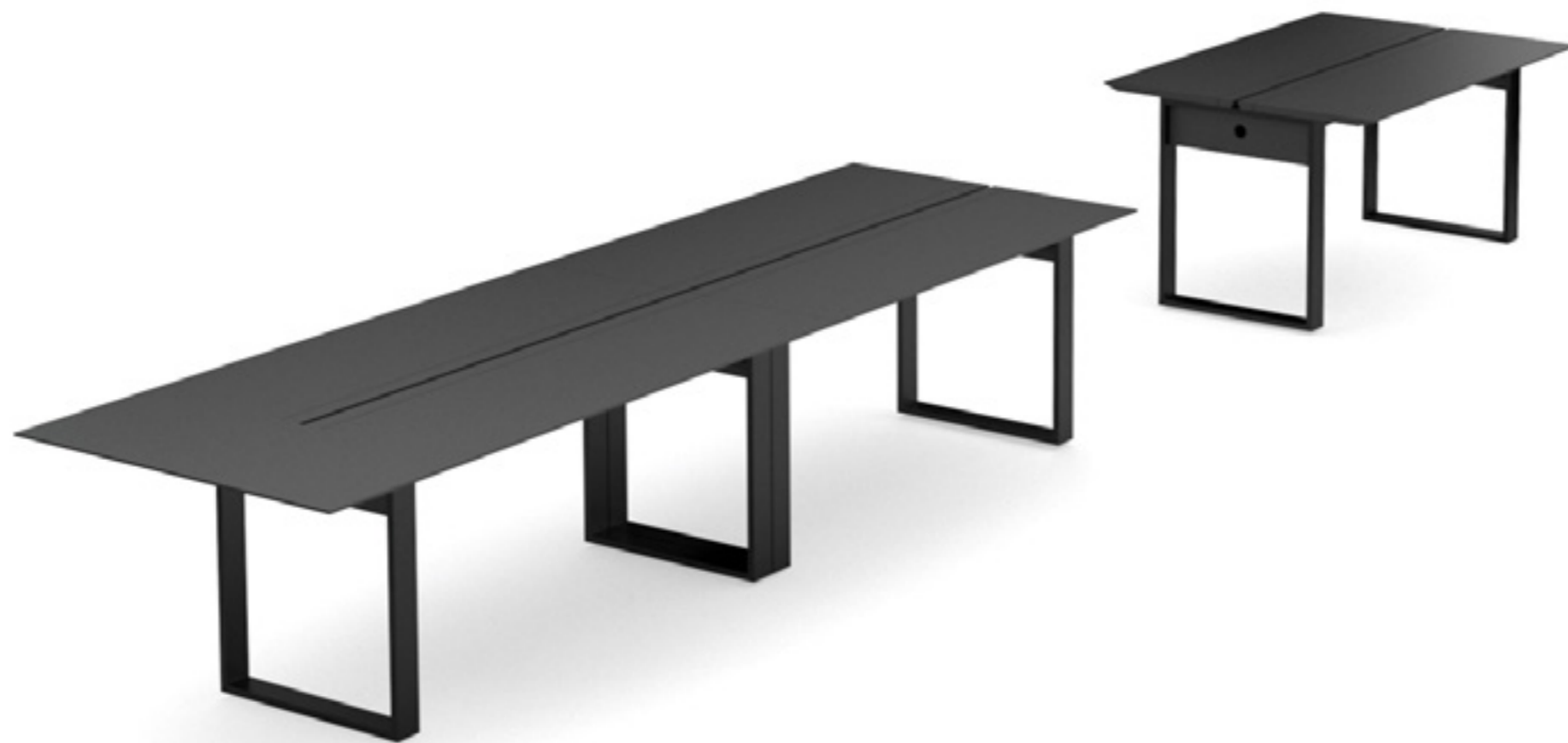
Modular



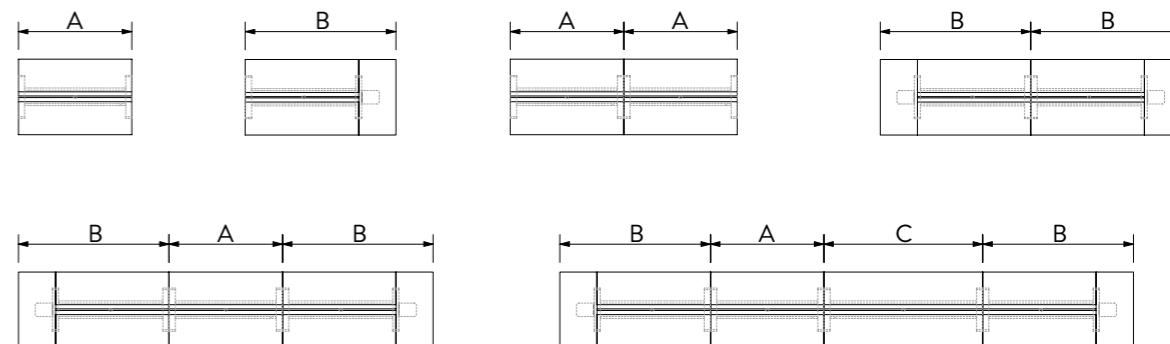
# In-tensive M+M

Design: Jouni Leino

Year: 2023



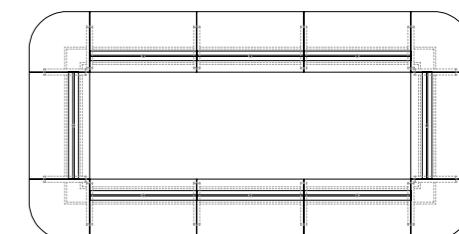
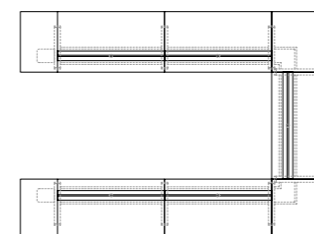
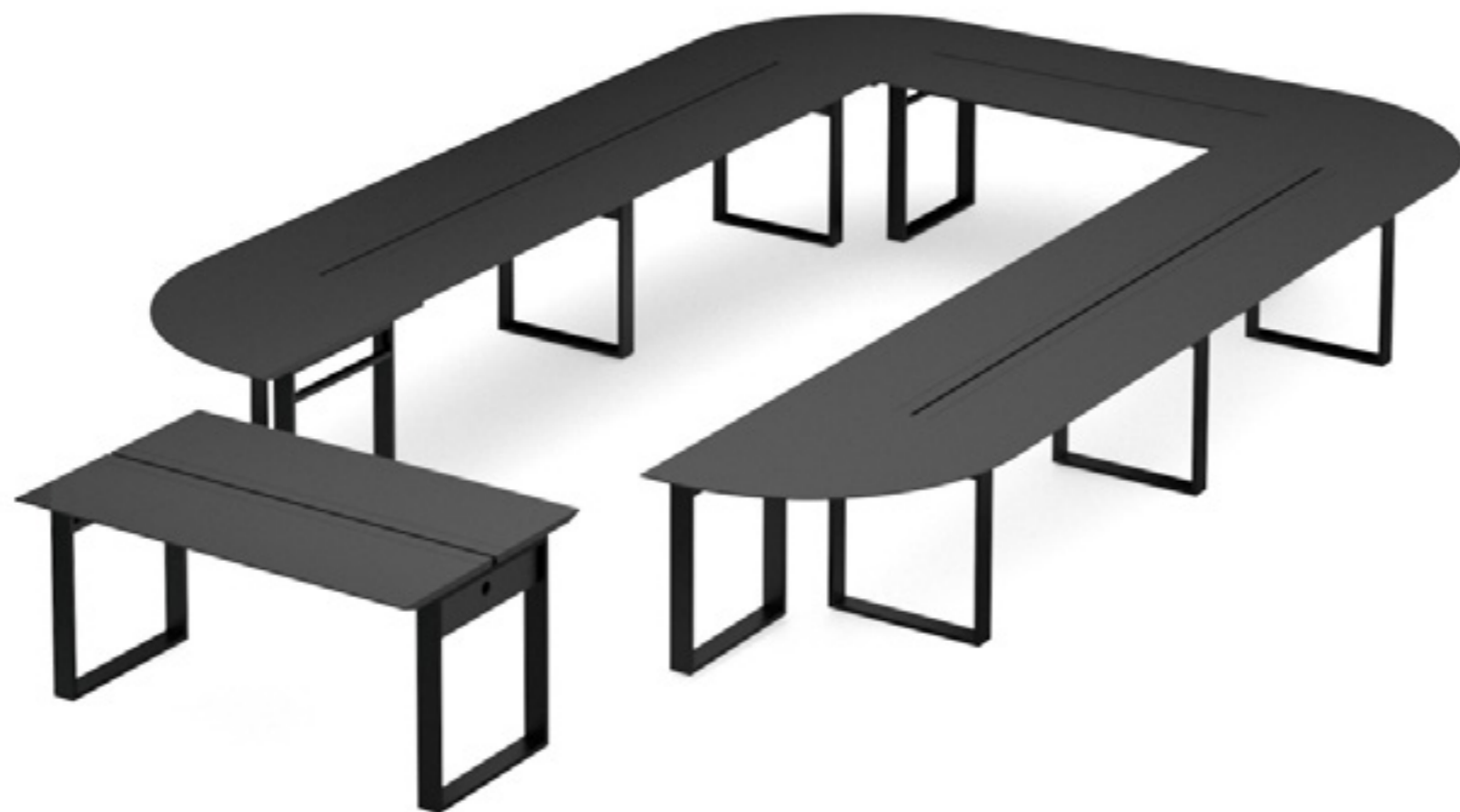
Configurable



# In-tensive M+M

Design: Jouni Leino

Year: 2023



# BIM objects

Available for REVIT & ArchiCAD

## In-tensive Unit Tables



In-tensive Units S



In-tensive Units C



In-tensive Units F



In-tensive Units O

## In-tensive Unit Modular



In-tensive Modular S



In-tensive Modular C



In-tensive Modular F



In-tensive Modular O

## Bondo Wood Tables



Bondo Wood  
650x550xh330



Bondo Wood  
750x650xh390



Bondo Wood  
1200x550xh330



Bondo Wood  
1400x650xh390



Bondo Wood  
Dia700xh330



Bondo Wood  
Dia850xh390

## Lab chair



Lab XA



Lab XB



Lab XC



Lab ZA



Lab YA



Lab YB



Lab YC



Lab ZB



Lab Y+A



Lab Y+B



Lab Y+C



Lab ZC

## Aura Chair



Aura 1M



Aura 1M - w/wheels



Aura 1L



Aura 1L - w/wheels



## Bondo Metal Tables



Bondo Metal  
450x350xH620



Bondo Metal  
550x450xH620



Bondo Metal  
650x550xH330



Bondo Metal  
750x650xH390



Bondo Metal  
1200x500xH330



Bondo Metal  
1400x650xH390



Bondo Metal  
Dia 700xH330



Bondo Metal  
Dia550xH620



Bondo Metal  
Dia850xH390

## Taivu Compact Lounge



Taivu Compact Lounge

## Taivu Meeting



Taivu Meeting YDL



Taivu Meeting ZDL

## Lab XL



Lab XL High Chair



Lab XL Low Chair



Lab XL Rocking



Lab XL Sofa

## Tilt chair



Tilt M YA



Tilt M YB



Tilt M YXLA



Tilt M YXLB



Tilt L YA



Tilt L YB



Tilt L YXLA



Tilt L YXLB

## Kola Chair



Kola Light



Kola Light Wood



Kola Rocking



Kola Light w/seat-pad



Kola Light w/seat-pad



Kola Rocking w/seat-pad

## Julie Chair



Julie B1



Julie B1 w/backrest

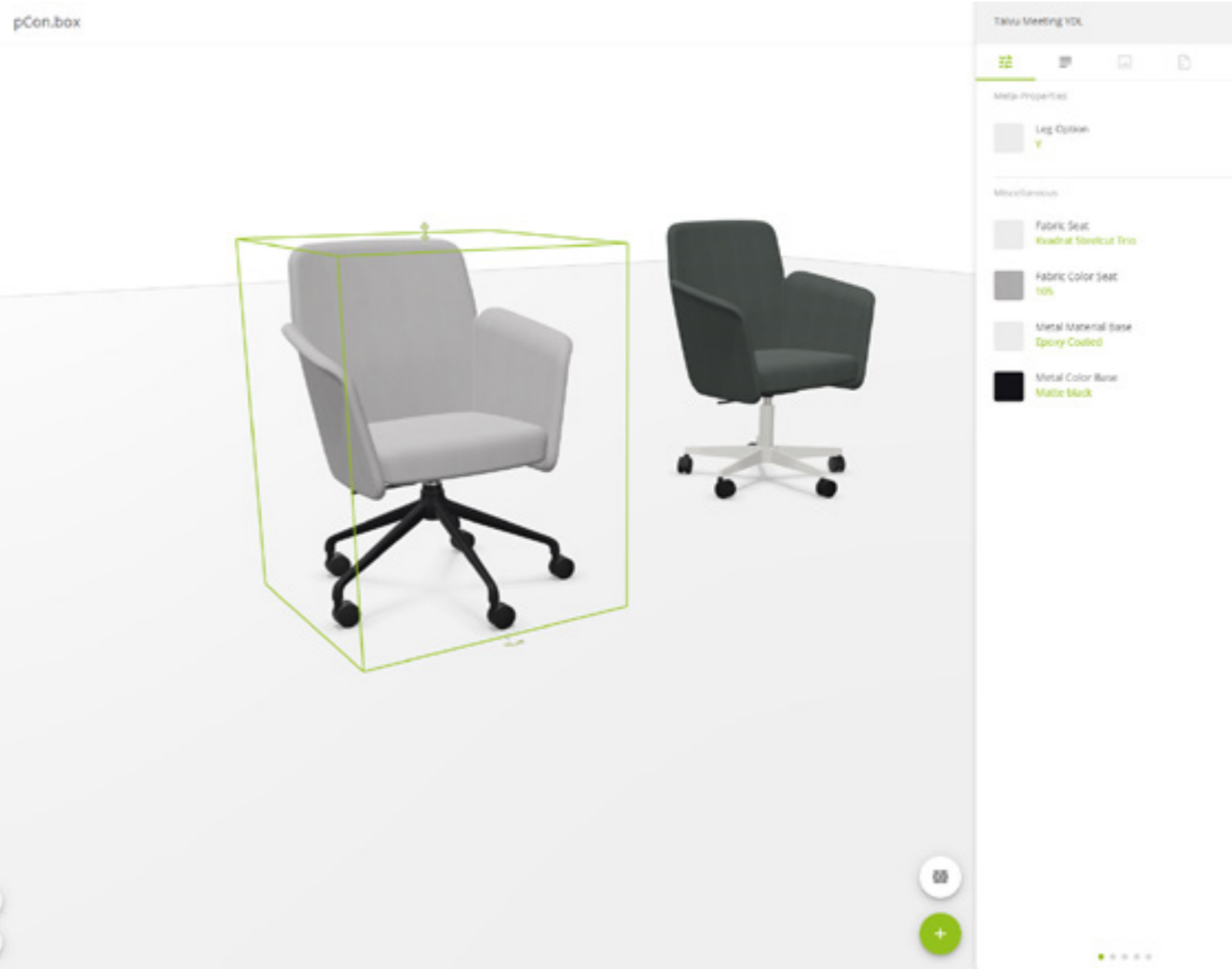
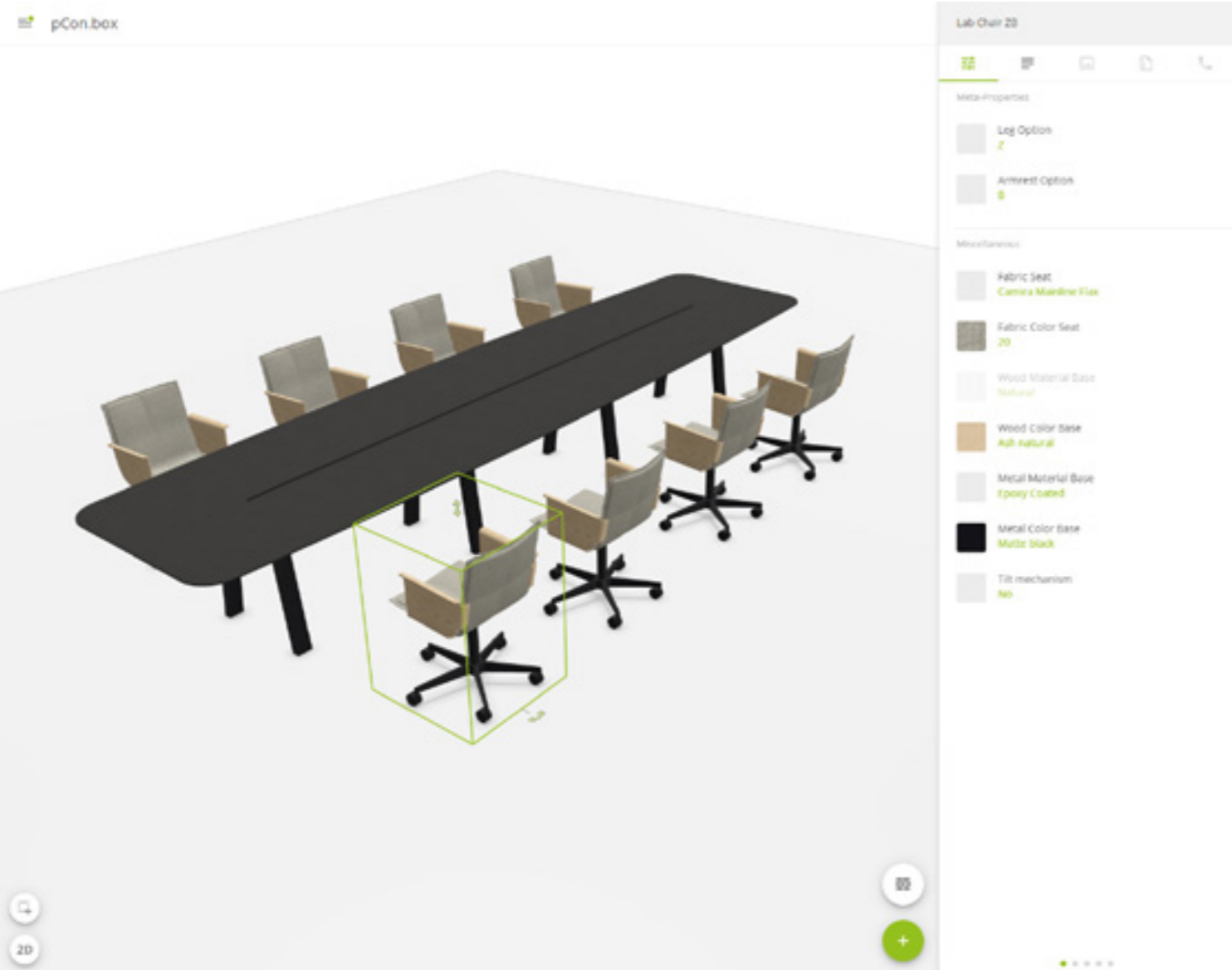


Julie B2



Julie B2 w/backrest

# Pcon Planner





LECTURE HALL · READING THEATRE & EXHIBITION HALL







THANK YOU!

**inno**